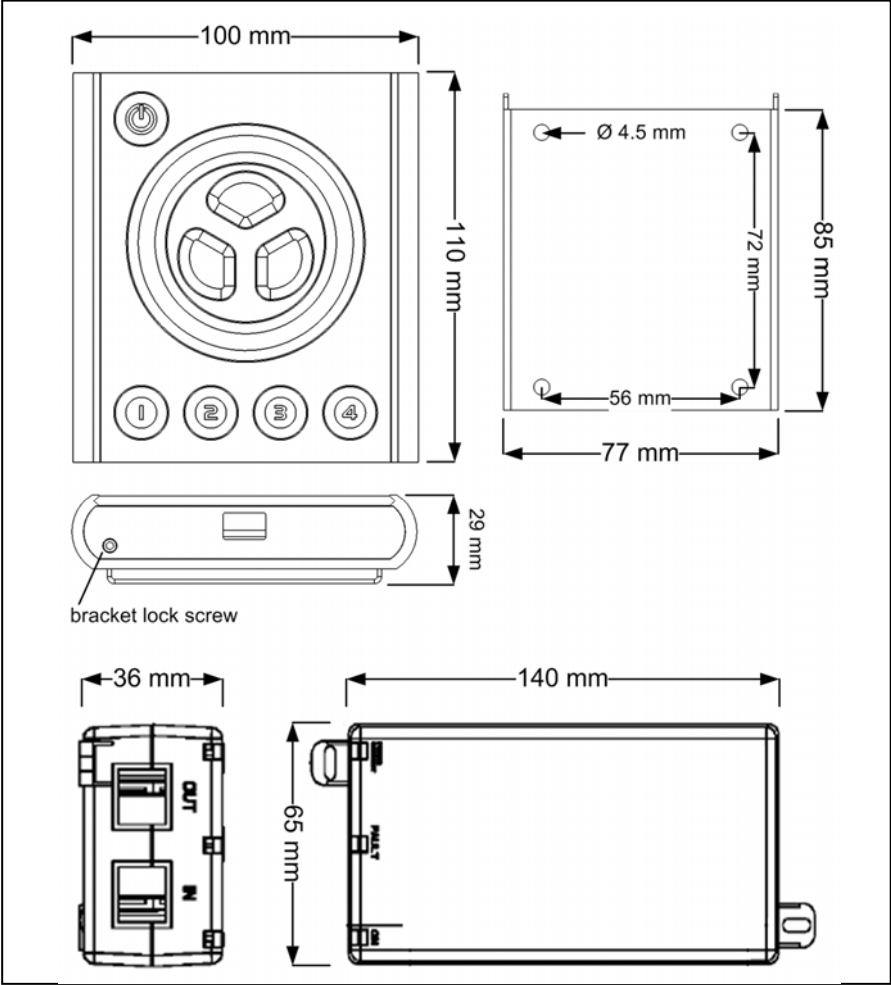


# VX01

## installation guide



# Dimensions



© 2007 Viso Systems ApS, Denmark

All rights reserved. No part of this manual may be reproduced, in any form or by any means, without permission in writing from Viso Systems ApS, Denmark.

Information subject to change without notice. Viso Systems ApS and all affiliated companies disclaim liability for any injury, damage, direct or indirect loss, consequential or economic loss or any other loss occasioned by the use of, inability to use or reliance on the information contained in this manual.

# Contents

Dimensions .....	2
Safety Information.....	4
Introduction .....	5
Installation.....	6
Connections.....	7
Setup.....	9
Troubleshooting .....	14
Specifications.....	15

# Safety Information

**Warning! This product is not for household use.**

Read this manual before installing and operating the controller, follow the safety precautions listed below, and observe all warnings in this manual.

## Preventing electric shocks



Always ground (earth) the power supply.

Use only a source of AC power that complies with local building and electrical codes, and that has both overload and ground-fault protection.

If the controller or power supply are in any way damaged, defective, wet, or show signs of overheating, disconnect the power supply from AC power and contact Viso Service for assistance.

Do not install or use the device outdoors. Do not spray with or immerse in water or any other liquid.

Do not remove any covers or attempt to repair the controller or power supply. Refer any service to Viso.



### Disposing of this product

Viso products are supplied in compliance with Directive 2002/96/EC of the European Parliament and of the Council of the European Union on WEEE (Waste Electrical and Electronic Equipment), as amended by Directive 2003/108/EC, where applicable.

Help preserve the environment! Ensure that this product is recycled at the end of its life. Your supplier can give details of local arrangements for the disposal of Viso products.

# Introduction

## About the VX01

The VX01 is a revolutionary new lighting controller for DMX controllable color changing lights. Programmed with each fixture's unique color curve, it provides the simplest, yet most powerful interface ever developed to control and match colors from multiple sources.

## Package contents

The VX01 package contains the following items.

- VX01 Controller
- 48 V Power over Ethernet (POE) power supply
- CD-ROM with documentation and *Vdesigner* software
- 5 m UTP patch cable
- 1.5 m USB cable

## About this document

This guide describes how to install and set up the VX01 controller.

For a description of how to operate the controller, please refer to the *VX01 Quick Guide*.

For help with *Vdesigner*, refer to the program's online help.

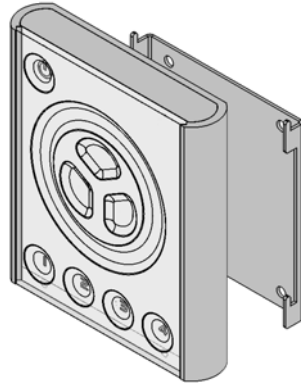
For installation and setup of lighting devices, please refer to their user manuals.

# Installation

## Controller and bracket

The VX01 is designed to be wall-mounted using the included bracket. To mount:

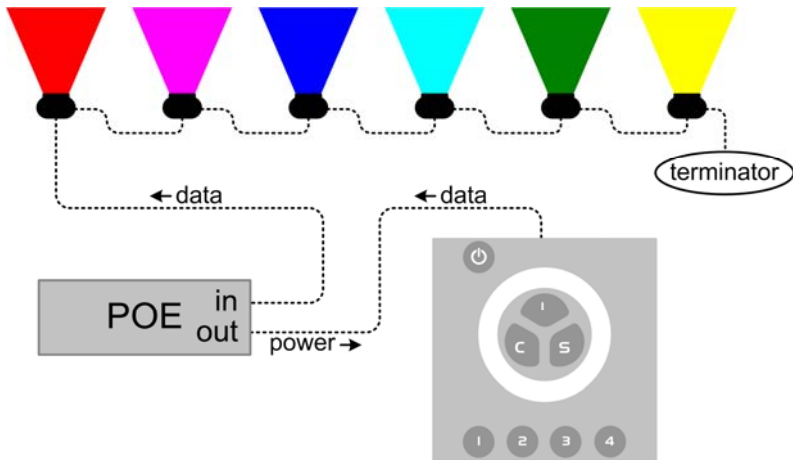
1. Loosen the set screw on the bottom of the VX01 with a 2 mm hex wrench and remove the wall bracket.
2. Center the bracket on the desired mounting position with the hooks pointing up.
3. Fasten the bracket to the wall with four suitable screws (not included).
4. Plug the included 5 m UTP patch cable into the RJ-45 socket on the back of the controller.
5. Place the controller on the bracket and slide it down over the hooks.
6. Tighten the set screw a few turns to hold the controller in place. **Do not over tighten: stop as soon as you feel light resistance!**



## Power supply

Install the power supply in a dry location within a 40 meter cable run of the controller.

# Connections



## Controller to power supply

Connect a UTP patch cable (provided) between the RJ-45 socket on the back of the controller and the **OUT** socket on power supply **before** connecting the power supply to AC.

When power is applied to the power supply, all 3 LEDs will light for 2 seconds and then the "ON" LED will illuminate green. The "CONNECT" LED illuminates green when the controller is connected and receiving power.

## Power supply to lights

Connect another UTP patch cable (not included) between the power supply's **IN** socket and the DMX input on one of the lights. If the light does not have an RJ-45 socket, you will need a 3-pin or 5-pin XLR-to-RJ45 adaptor that connects the pins as shown below.

<b>XLR pin</b>	<b>RJ45 pin</b>	<b>Function</b>
1	7, 8	signal common
2	2	data -
3	1	data +
4, 5	no contact	not used

Connect the lights together in a serial chain, output to input. Connect no more than 32 lights and keep the total cable run to 300 m (1000 ft.) or less. If the application exceeds these limits, DMX splitter/amplifiers may be used after the power supply to increase the cable run and/or number of lights.

## Line terminator

Terminate the end of the data line to prevent reflections that can distort the signal. This is usually accomplished by inserting a suitable 120 ohm termination plug into the DMX output of the last fixture in the line.

## AC power supply cable plug



***Warning: Risk of electric shock! Plug installation shall be performed by a qualified electrician.***

A grounding-type (earthed) power plug that fits the local power outlet must be installed on the AC cable for the power supply. Alternatively, you can acquire an IEC power cable with a suitable grounding-type plug from most consumer electronics stores.

When installing the plug connect pins as follows:

- yellow and green wire to ground (earth)
- blue wire to neutral
- brown wire to live

# Setup

## Introduction

The included *Vdesigner* software allows you to

- configure the VX01 for use with specific lighting fixtures,
- create and load lighting designs, and
- update fixture profiles and controller firmware.

This section describes how to configure the controller. The other features are described in the *Vdesigner* help file.

## Software installation

*Vdesigner* requires Windows XP. Install the software as follows:

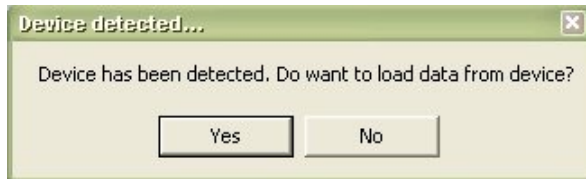
1. Place the CD-ROM in the drive. If autoplay is enabled, an installation dialog opens automatically after loading the CD-ROM.
2. If the installation dialog does not open, you must run the **boot.bat** file on the CD-ROM. Select **Run** from the **Start** menu, enter [CD-ROM drive letter]:boot.bat, and click **OK**.
3. From the installation menu, select whether you want to download and install the latest version of the software from the Internet (recommended), or the version on the CD-ROM.
4. Review and acknowledge the user agreement. Click **Next**.
5. The installation wizard opens. Follow the instructions on screen to complete the process.

## Fixture setup

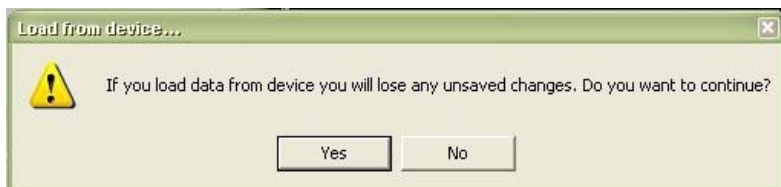
Though sometimes called “intelligent” lights, lighting fixtures can not identify themselves to the controller. **Before first use, and whenever changes are made to the lighting installation, the controller must be configured with the number and types of connected lights.**

Configure the controller as follows.

1. If you have not already done so, install the *Vdesigner* software.
2. Start *Vdesigner*.
3. Connect the VX01 to any USB port on the computer using the included USB cable. **Do not connect the controller to the PC before the software is installed.**
4. Within a few seconds, the computer detects the controller and asks whether you want to load data from the device. Click **Yes**.



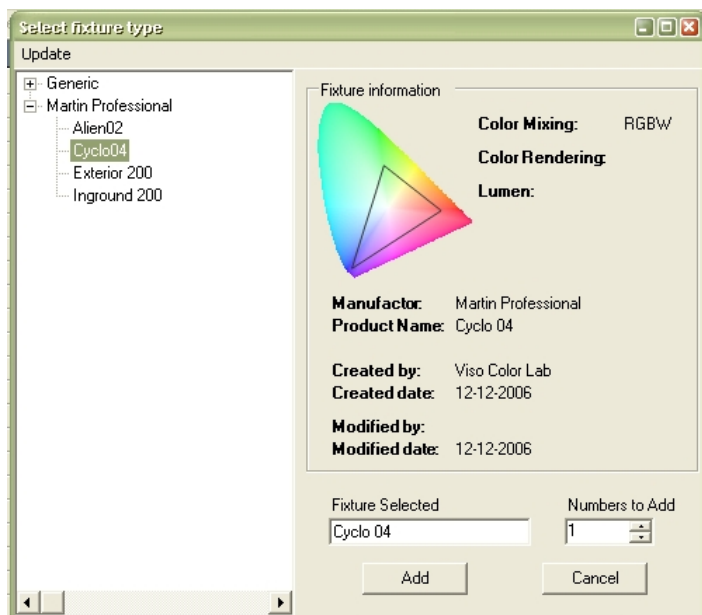
5. The next prompt alerts you that loading data will cause any unsaved changes to be lost. Click **Yes** to continue.



- Click **Setup > Fixture setup** from the main menu. The **Fixture setup** dialog opens.

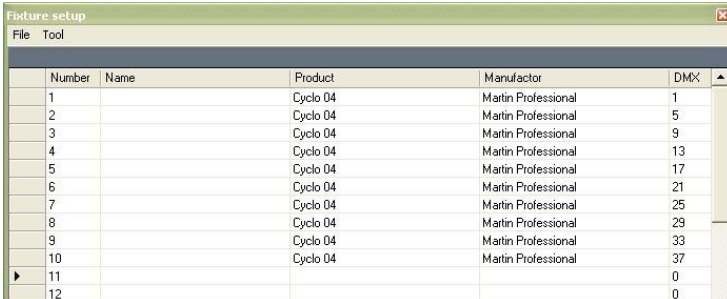


- If configuring the VX01 for the first time, delete the pre-loaded fixture setup. Select **Tool > Clear all** from the dialog menu.
- Add fixtures to the setup. Select **Tool > Add fixture(s)** from the dialog menu. Double-click the manufacturer name in the **Select fixture type** dialog, then click the model. Enter the quantity of fixtures of this type in the **Numbers to Add** field. Click **Add**.



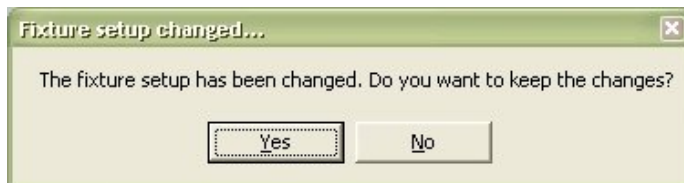
9. The quantity of fixtures is inserted starting at the cursor location. The following fields are displayed:

- fixture number (1 to 100)
- fixture name (user designated)
- fixture type
- fixture manufacturer
- fixture DMX channel



Number	Name	Product	Manufacturer	DMX
1		Cyclo 04	Martin Professional	1
2		Cyclo 04	Martin Professional	5
3		Cyclo 04	Martin Professional	9
4		Cyclo 04	Martin Professional	13
5		Cyclo 04	Martin Professional	17
6		Cyclo 04	Martin Professional	21
7		Cyclo 04	Martin Professional	25
8		Cyclo 04	Martin Professional	29
9		Cyclo 04	Martin Professional	33
10		Cyclo 04	Martin Professional	37
11				0
12				0

10. Repeat step 8 for each type of fixture. The VX01 may be configured with up to 10 types of fixtures and a total of up to 100 lights.
11. (Optional) You can enter names for the fixtures in the **Name** column to help identify them.
12. (Optional) If you want to save the fixture setup on the computer, select **File > Save to file** from the dialog menu. Select the file location and name in the **Save** dialog and click **OK**.
13. Close the **Fixture setup** dialog. Click **Yes** at the prompt to keep the changes.

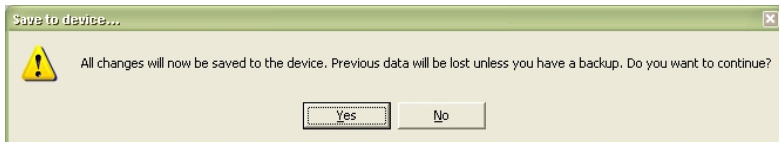


14. The fixture setup must now be saved to the controller.

- Click either **Device** or **File** in the main window.



- Click **Save to device**.
- Click **Yes** at the confirmation prompt.



15. The VX01 is now configured and ready for use.  
**Before operation, the lights must be set to the DMX addresses assigned in the Fixture setup dialog.**

# Troubleshooting

Problem	Probable Cause	Solution
No response from controller when on/off button is pressed	Cables reversed at power supply	Verify that patch cable from controller is connected to power supply's <b>OUT</b> socket
Dynamic designs do not execute when a preset button is pressed	Other lighting settings have been saved in the preset memory	Press and hold the preset button for about 4 seconds until the controller sounds twice
One or more lights has the wrong color, flashes, or blinks randomly	Interference in DMX data line	Verify that the end of the data line is terminated
	Data line length or fixture limit exceeded	Add a DMX splitter/amplifier to the data line
Lights do not respond to controller	Incorrect fixture setup	Configure controller
	Fixtures addressed incorrectly	Verify that fixtures are addressed as per the <b>Fixture setup</b> dialog

# Specifications

## Physical

Dimensions (L x W x H).....	110 x 100 x 29 mm
Weight .....	240 g

## Electrical

Power supply input .....	100 to 240 VAC, 50/60 Hz
Controller input .....	48 VDC
Power consumption .....	2 W

## Control and programming

Control interface .....	DMX 512
Control channels.....	512
Maximum number of fixture types .....	10
Maximum number of fixtures .....	100
Recallable memories (presets).....	4

## Connections

AC power (power supply) .....	IEC 3-pin
PC.....	USB mini-B
DC power in/DMX data out.....	RJ-45

## Approvals

Power supply .....	cUL/UL, CE, CCC, TUV, FCC
Controller .....	CE

## Ordering information

VX01 Controller .....	P/N 90734500
-----------------------	--------------